



REDUNDANT MULTI-RAIL OUTPUT POWER SUPPLY

Overview

Power supply board is having isolated 3 outputs with redundant power supply and hold up capacitor.

Key Features

- 159W main and redundant power supply.
- Converts 28V DC/AC to nominal DC outputs (+/- 5V DC, + 15V DC)
- Efficiency >85%
- 50ms Holdup
- Inbuilt EMI filter, Surge & lightning protection

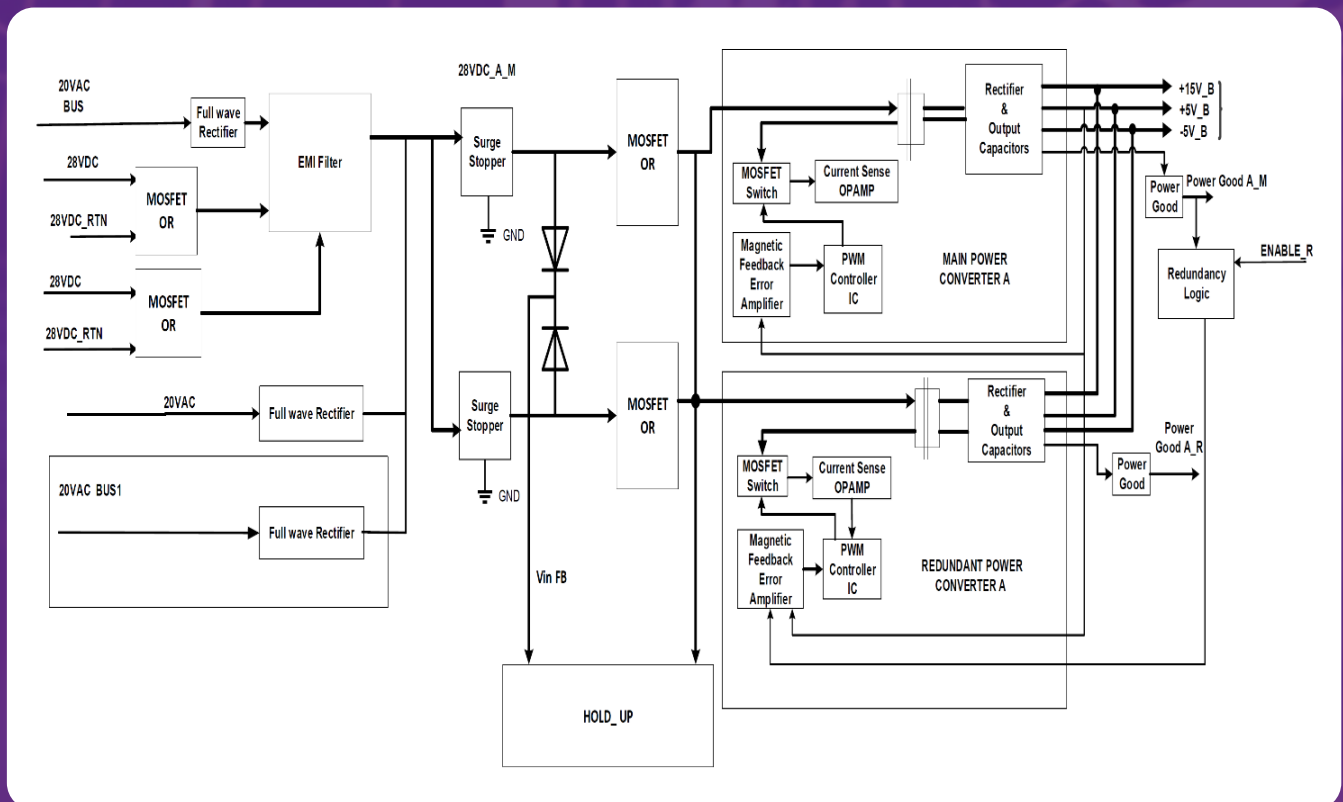
Dimension

230mmx196mmx35mm

Technical Specifications

- 3 Isolated outputs of 5V/13A, 15V/5A and -5V/0.4A
- Current controlled Push Pull topology for isolation
- Multiple redundant inputs: 28V DC & 20VAC
- Efficiency greater than 85%
- Holdup time greater than 50ms
- Ripple output less than 1%
- Line and load regulation less than 5%
- BITE outputs for health monitoring
- Operating Temp: -40deg to 75degC
- DO-160G compliant for Power input, temperature, CE/RE, vibration
- ROHS compliant

Block Diagram



Benefits

- Overall "Low cost of ownership" to the customer due to
- Compact power supply module for aircraft application
 - Includes the holdup capacitor inbuilt on the board
 - Inbuilt EMI/EMC filter

Our USP

- Triple output with good power quality, line, load & cross regulation
- Redundant converter with power good signals

Cyient (Estd: 1991, NSE: CYIENT) is a global engineering and technology solutions company. As a design, build, operate & maintain partner for leading organizations worldwide, we take solution ownership across the value chain and leverage the power of digital technologies and advanced analytics, along with domain knowledge and technical expertise, to solve complex business problems. With more than 16,000 employees in 20 countries, our industry focus includes aerospace and defense, medical, telecommunications, rail transportation, semiconductor, industrial, and energy.